



**50Ω TERMINATED 3GHz SMA LATCHING S.P.5 T. SWITCH**

OPTIONS: INDICATOR /SELF CUT-OFF /AUTO RESET /SUPP.DIODES

**R F CHARACTERISTICS**

NUMBER OF WAYS : 5  
 FREQUENCY RANGE : 0 - 3 GHz  
 IMPEDANCE : 50 Ohms

|                 |         |
|-----------------|---------|
| FREQUENCY (GHz) | 0 - 3   |
| V.S.W.R <=      | 1.20    |
| INSERT. LOSS <= | 0.20 dB |
| ISOLATION >=    | 80 dB   |
| AVER. POWER (*) | 240 W   |

TERMINATION IMPEDANCE : 50 Ohms  
 TERMINATION AVG. POWER AT 25°C : 1 W per termination  
 3 W total power

**ELECTRICAL CHARACTERISTICS**

ACTUATOR : LATCHING  
 NOMINAL CURRENT AT 25°C (±10%) : 375 mA  
 ACTUATOR VOLTAGE (Vcc) : 28V (24 to 30V) / NEGATIVE COMMON  
 TERMINALS : solder pins (250°C max./30 sec.)  
 INDICATOR RATING : 1 W / 30 V / 100 mA  
 SELF CUT-OFF TIME : 40 ms < CT < 120 ms

**MECHANICAL CHARACTERISTICS**

CONNECTORS : SMA female per MIL-C 39012  
 LIFE : 2.000.000 cycles per position  
 SWITCHING TIME (nominal voltage;25°C) : < 40 ms  
 CONSTRUCTION : splashproof  
 WEIGHT : < 250 g

**ENVIRONMENTAL CHARACTERISTICS**

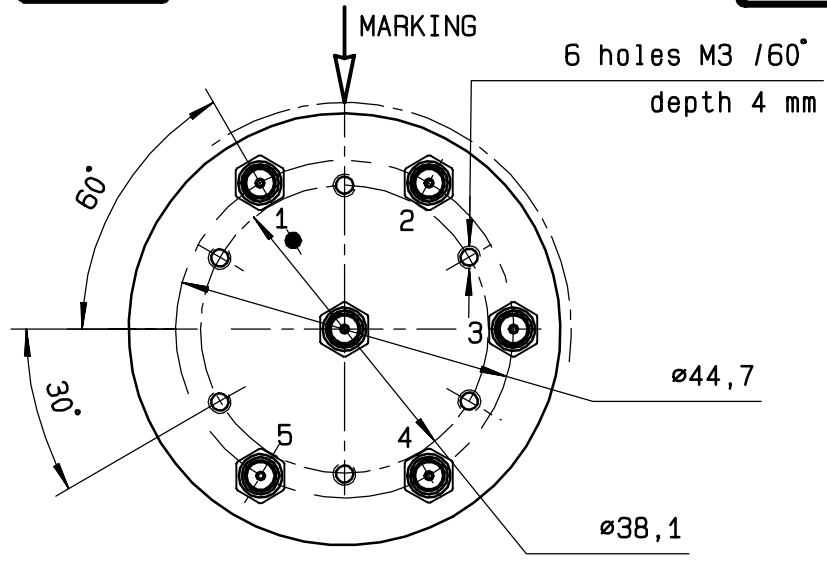
OPERATING TEMPERATURE RANGE (°C) : -40 , +85  
 STORAGE TEMPERATURE RANGE (°C) : -55 , +85

(\* : average power at 25°C per RF path)

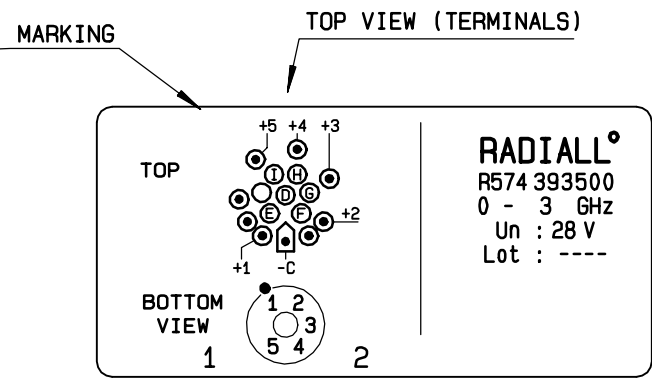
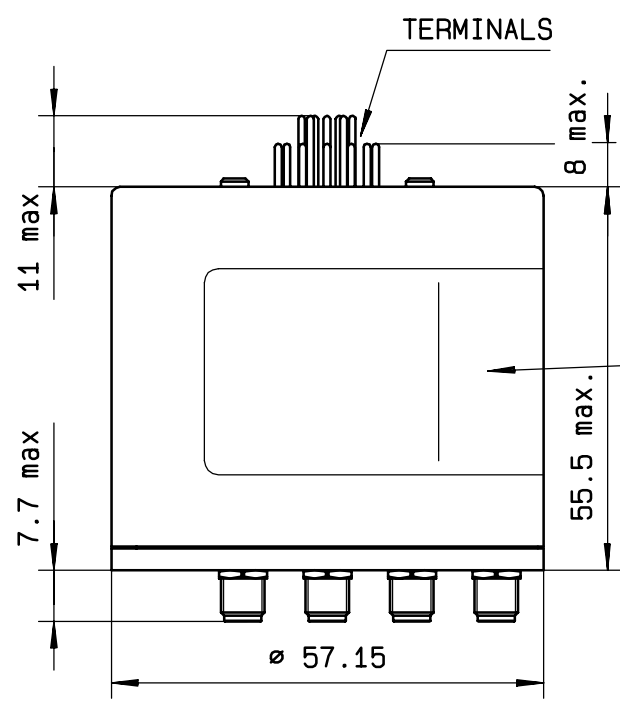
This information is given as an indication. In the continual goal to improve our products, we reserve the right to make any modifications judged necessary

**DRAWING**

General tolerance: ± 0,5 mm

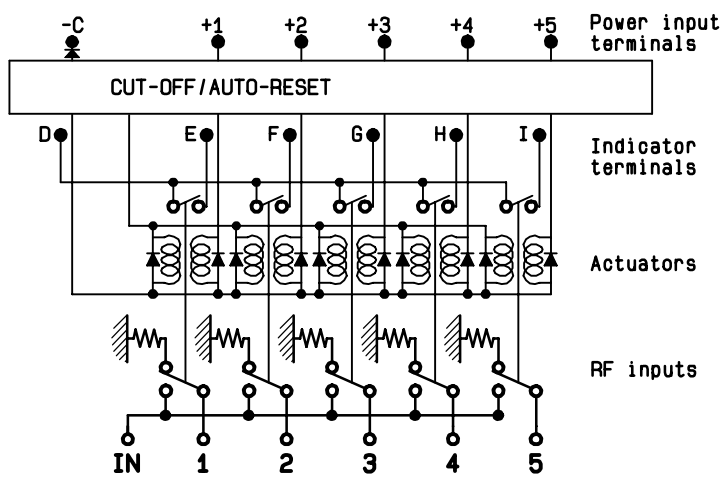


| Voltage | RF continuity | Ind. |
|---------|---------------|------|
| -C +1   | IN ↔ 1        | D.E  |
| -C +2   | IN ↔ 2        | D.F  |
| -C +3   | IN ↔ 3        | D.G  |
| -C +4   | IN ↔ 4        | D.H  |
| -C +5   | IN ↔ 5        | D.I  |



**RADIALL**  
R574 393500  
0 - 3 GHz  
Un : 28 V  
Lot : ----

**SCHEMATIC DIAGRAM**



This information is given as an indication. In the continual goal to improve our products, we reserve the right to make any modifications judged necessary

4113-9212